

Meru University of Science and Technology

Diploma in ICT

Apply Basic electronics

IT/CU/ICT/CC/1/6

March/April 2024

ASSESSORS INSTRUCTIONS

Time: 2 Hours

Ensure that all the materials and equipment are provided

The aim of the experiment is to study the V-I characteristics of a forward biased P-N Junction diode

Materials required

Regulated DC power supply 0-30V

Digital multimeter

One PN Diode 1N4007

One Resistor 100 Ω

Breadboard

Connecting wires

This paper consists of 4 printed pages

Assessor should check the tool to ascertain that all the pages are printed as indicated and that no question is missing

OBSERVATION CHECKLIST

Candidate's name			
Candidates Registration number			
Assessors Name			
Unit of competency			
Date of assessment			
Items to be evaluated: <i>Tick as appropriate: YES, if the candidate performs the task correctly, NO, if the candidate did not perform the task correctly. Give a brief comment for item ticked NO).</i>			
	Marks available	Marks obtained	Comments
1. Adhered to prescribed safety as per workplace procedures <ul style="list-style-type: none"> • Wore PPEs (overall and safety boots). • Observed electrical safety (no loose connections at the power outlets, proper protection of the distribution board) • Observed environmental safety (waste disposal, no spills on the floor, adequate ventilation and lighting) 	3		
Task 1			
2. Identify all components required	4		
3. Listed tools used	2		
Sub-total	6		
Task 2			
4. Mounting of all components on the bread board	10		
5. Neatness	4		
Task 3			
6. Circuit operation	10		
7. Filling out table	10		
8. Plotting the V-I Characteristic Graph	10		
Grand total	53		

The candidate was found to be:

Competent

Not yet competent

(Please tick as appropriate)

(The candidate is competent if s/he gets 9(65%) of the 11 items on the observation checklist.)

Feedback from candidate:

Feedback to candidate:

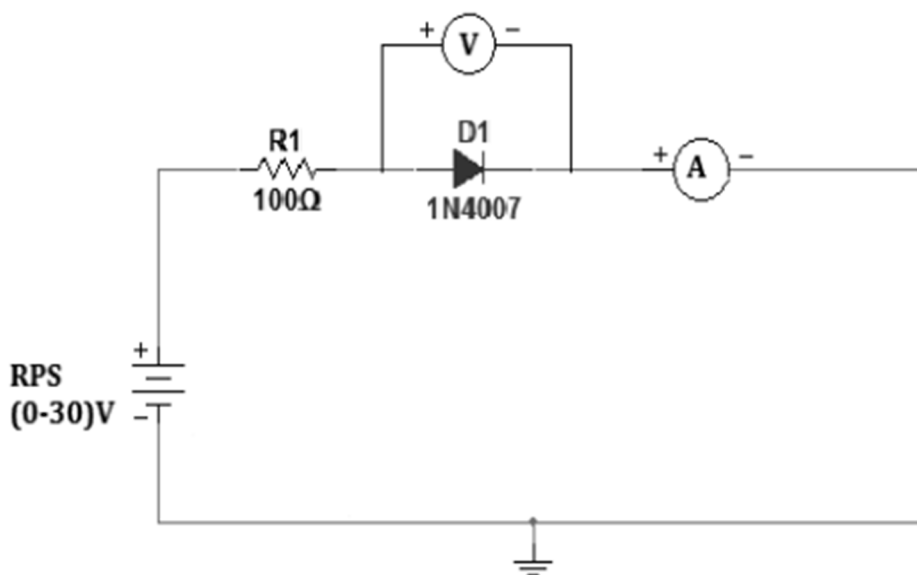
Candidate's signature:

Date:

Assessor's signature:

Date:

Comments by Assessor:



V-I Characteristic graph

